

## READ ALL INSTRUCTIONS BEFORE PROCEEDING

Standard installation is for outswing doors (See Fig. 1). Any build out or trimming required to get the proper opening width should be performed on the latch side as the hinge side is weight bearing. Use appropriate shims (not included) to keep the hinge and latch sides plumb and square.

- Please note that in-swing doors mount on the inside of the room and follow the same directions. See Fig. 1.
- You will need a #2 Phillips and #2 square driver Robertson bit for the supplied self-drilling screws. The bags of screws can be found in between the sashes and the screen.

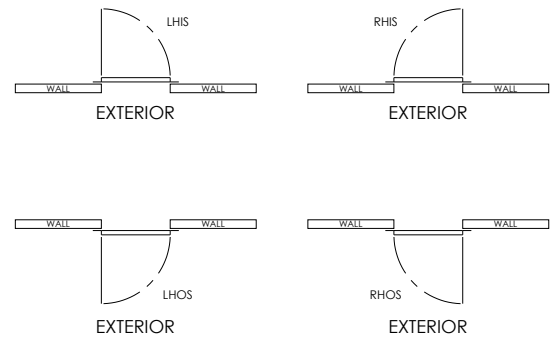


Figure 1

## INSTRUCTIONS

1. All doors ship with a threshold (optional, but highly recommended on In-Swing doors).
  - Cut to width of rough opening. Keep in mind that the threshold centers under the Z-bar jamb rails.
  - Apply a thick bead of silicone caulk across the opening.
  - Install threshold to the floor with the screws provided. If attaching to concrete, use plastic anchors with the screws provided or masonry screws. Be sure to caulk the ends of the threshold closed.

## INSTALLATION STEPS

The door comes pre-hinged and the Z-bar jambs with pre-punched screw holes for installation. Just like with our windows, you will want to apply a small bead of clear silicone caulk (not supplied) around the entire opening behind the Z-bars and header.

2. Measure the jamb door opening heights at each side (from the top of the threshold if you are using it). Trim the length of each side rail (from the bottom) with a hacksaw or chop saw to the opening size less 1/8" (to allow header to slip in above). See Fig. 2.
  - a. Pay attention to the rough opening header to make sure it is level. If it is out of level, adjust your side rail cuts accordingly so the door header will be level when it is installed.
3. Remove the sashes from both doors to make them easier to handle. This step is optional.
4. Set the hinge rail on the floor (on top of threshold if using it) and tight to the jamb. Making sure you have left at least a 1/8" gap at the top for the header to slip in. See Fig. 3 & 4.
5. Install hinge rail (with the door leaf attached) using #6 x 1" color matched screws (provided). Screw through prepunched holes in facing of rail into jamb. As attachment proceeds, ensure that the hinge rail and door are plumb in the opening. See Fig. 3.

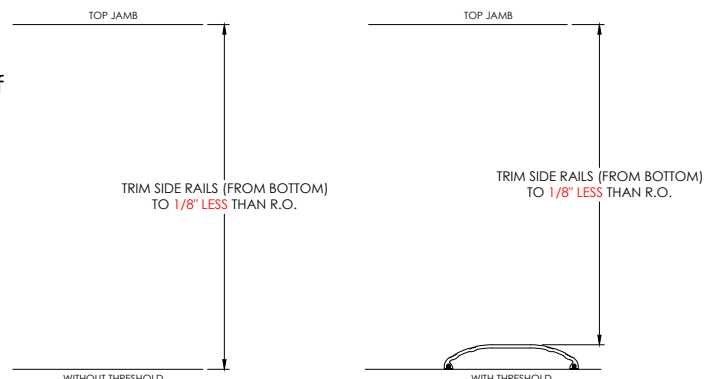
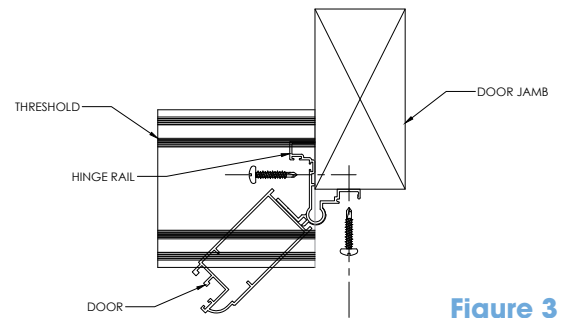


Figure 2

Any questions? Contact the Technical Director at 419.866.7705 ext.1033

6. Install frame header next. Set header at top of opening. Be certain to push header tight to hinge rail. Close door and check for even clearance between top of door leaf and header (adequate clearance is approximately  $\frac{3}{32}$ " ). **Do not fasten in place until STEP 7 is complete. See Fig. 4.**
7. Attach latch side frame last. Be certain there is no gap between header and latch side. Check to see that door has adequate clearance at the jamb for latch rail (adequate clearance is approximately  $\frac{3}{32}$ " ). Screw through pre-punched holes in facing of rail into jamb with #6 x 1" color matched screws (provided). Install hinge rail (with the door leaf attached) using #6 x 1" color matched screws (provided).
8. Finish attaching the header by screwing through pre-punched holes in facing of rail into jamb with #6 x 1" color matched screws (provided). **See Fig. 5.**
9. After the frame is fastened around its perimeter and the fit is satisfactory, open the door. Screw one #6 x 1" color matched screw (provided) in pre-punched holes, as reinforcement behind each hinge. **See Fig. 3.**

## HINGE RAIL ATTACHMENT TOP DOWN VIEW



**Figure 3**

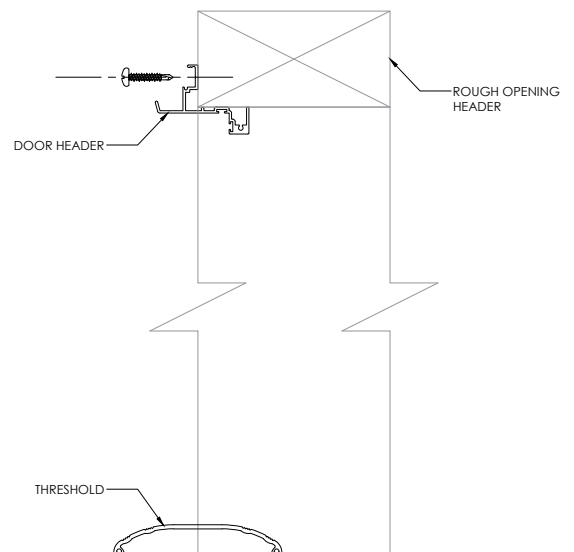


**Figure 4**



**Figure 6**

## HEADER ATTACHMENT SIDE VIEW



**Figure 5**

**Any questions? Contact the Technical Director at  
419.866.7705 ext.1033**

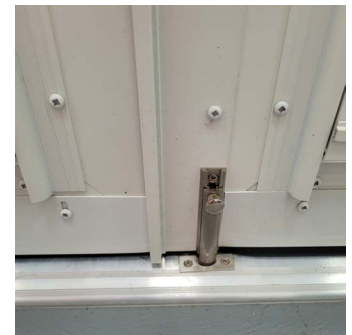
10. Measure and trim the astragal to length (making sure to cut the bottom). **See Fig. A.**
  - a. Measure from the bottom of the door to the inside of the header and cut  $\frac{1}{8}$ " less than that length.
  - b. Slide the astragal over the the fixed door panel (making sure the weather seal is to the inside of the room for an Out-Swing door and to the outside for and In-Swing door) and align with the pre-punched latch opening on the operable door panel.
  - c. Adjust the astragal for an even reveal with the full length of the operable door.
  - d. Fasten in place with the #6x1" color matched screws provided.
11. Cutting and installing the adjustable sill expanderS (bug sweeps). Make sure the fastening holes are oriented to the inside of the room.
  - a. For the fixed door, measure from the astragal to the hinge edge of the door and cut to length at the hinge side. Make sure to leave the rubber flaps long, on the astragal end, so they extend under the astragal. Trim the rubber flaps flush on hinge end.
  - b. For the operable door, measure from the inside edge to the hinge edge and cut the sweep to length. Trim the rubber flaps flush at both ends.
  - c. Position the rubber flaps on the adjustable sill expanders (bug sweeps) so they meet and seal properly with the floor or threshold.
  - d. Fasten in place, at the center of each hole, with the #6x $\frac{1}{2}$ " color matched screws provided.
12. Follow separate instructions packed with the door handle. Make sure you install the handle spacers to provide proper spacing between the handle and the door (finger clearance).
13. Follow separate instructions packed with the closer. **See Fig. 9.**
14. Attach the top and bottom shoot bolts to the fixed door per **figs B&C.**
  - a. The top shoot bolt will lock into the header. Use a stepped drill bit or Dremel tool to make this hole.
  - b. The bottom shoot bolt will lock into the threshold (if you are using it) or the floor (if you are not). Use a standard  $\frac{1}{2}$ " drill bit to make this hole.



**Figure A**



**Figure B**



**Figure C**



**Figure D**



**Any questions? Contact the Technical Director at  
419.866.7705 ext.1033**

## DOOR HANDLE SPACERS

**ATTENTION:** ONLY use the 3 ½" spindle that is provided with the door handle and the two spacers that are provided separately. See Fig.7. Not using these spacers will result in door handle resting too close to the door and operating poorly.

The "washers" shown in Fig. 8 are not used in the installation of Porch Conversions doors or handles.

The proper installation will use the door handle, a spacer, the 3 ½" spindle, another spacer, and the other door handle. See Fig. 9.

Figure 7

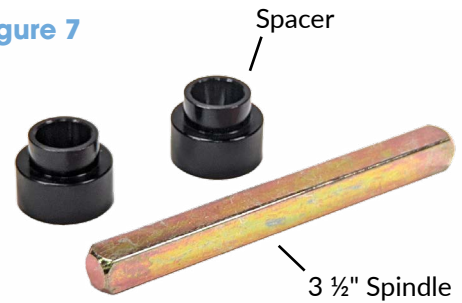


Figure 8



Figure 9



Any questions? Contact the Technical Director at  
419.866.7705 ext.1033