

WINDOW SIZES

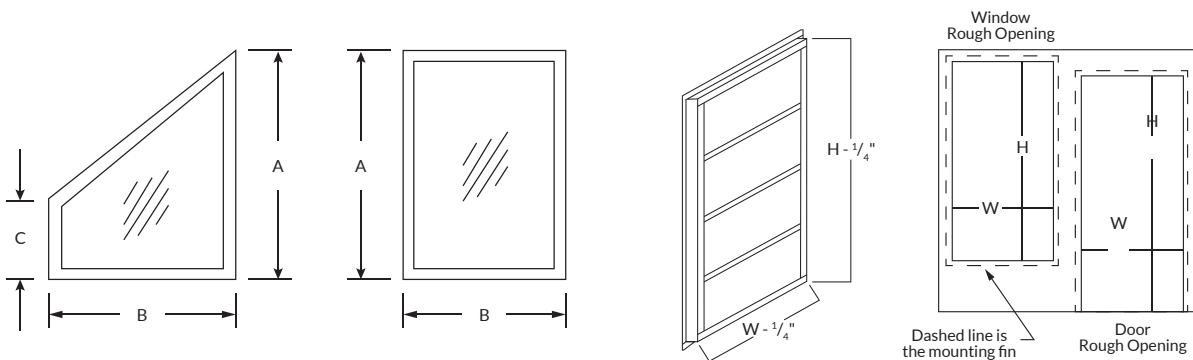
Shaded sizes are three vent windows.

Frame Colors:

-  White
-  Tan
-  Clay
-  Bronze
-  Black

| Inches | 24 | 30 | 36 | 42 | 48 | 54 | 60 |
|--------|----|----|----|----|----|----|---------------|
| 30 | | | | | | | |
| 36 | | | | | | | |
| 42 | | | | | | | |
| 48 | | | | | | | |
| 54 | | | | | | | |
| 60 | | | | | | | |
| 66 | | | | | | | |
| 72 | | | | | | | |
| 78 | | | | | | | |
| 84 | | | | | | | |
| 90 | | | | | | | |
| 96 | | | | | | | |
| 102 | | | | | | | Not available |

HOW TO MEASURE



- Provide the smallest daylight opening sizes for each opening, both height and width, by measuring in at least two places.
- Standard deductions from rough opening is $\frac{1}{4}$ " height and width.
- Be sure there is room for the $\frac{7}{8}$ " mounting fin at corners, mullions*, floor, and ceiling.

*Deduct for Mullions where needed.